

ROTARY LIFT[®]
The World's Most Trusted Lift[™]



A DOVER COMPANY

SmartLift[®] Inground Lifts
Professional Automotive



Features and Benefits



Maximize Space and Productivity

- An open and aesthetically pleasing service area says "first class" to customers. A streamlined look instills confidence and can translate into higher customer satisfaction
- SmartLifts® have a smaller footprint than surface lifts; you can reduce your service facility square footage by 15%
- No EPA concerns - inground designs are environmentally friendly and fully contained in a polymer composite housing



- Greater productivity – technicians prefer the SmartLift because they can have more vehicle access and work more efficiently under the vehicle and around the lift
- Rotary Lift® introduced the SmartLift in 1995 and has over 35,000 units in operation globally, more than anyone else in this product category

assistPRO™
professional facility planning assistance

- Rotary works directly with you, your local distributor, equipment program managers and architects, using the latest tools and techniques, to develop an efficient and capable service area to fit your needs. Our assistPRO™ service provides:

- Product selection and analysis
- Vehicle turning radius and traffic flow analysis
- Customized layout for each facility
- Detailed CAD blocks are available to architects
- Written specifications for approval and quoting process

Return On Investment Comparison - More Lifts in Useable Shop Space*		
Type of Lifts:	Surface	Inground
A. Length/size of shop:	132 feet	132 feet
B. Number of bays/lifts:	11 (12' wide bay)	12 (11' wide bay)
C. Approximate price per lift installed:	\$4,000 USD**	\$8,200 USD**
D. Total installed cost:	\$44,000 USD**	\$98,400 USD**
E. Difference in initial cost:	\$54,400 USD**	
F. Avg. annual service & parts per lift/bay:	\$223,678 USD**	
G. Annual revenue/shop:	\$2,460,458 USD	\$2,684,136 USD
H. Additional revenue w/inground:	\$223,678 USD**	
I. Additional monthly revenue with inground:	\$18,640 USD**	
J. Payback Time: <small>Difference in initial cost/additional monthly revenue</small>	3 months	

* 132' shop length is the point at which 11 surface lift bays = 12 SmartLift bays

** all costs are estimated



Shown: SL210i
10,000 lbs. capacity
shown with inbay®



Shown: SL19
9,000 lbs. capacity



NEW Three-Stage Arms with RA adapters model SL210-RA

New RA Adapters

- Screw up adapters with optional stackable inserts for extra height.
- Lower profile, durable polymer material and better contact surface
- Adapter has a beveled edge that forces the technician to load at the center of the adapter
- Required by several vehicle manufacturers

Total Cost of Ownership

A lower overall total cost of ownership due to easier serviceability, lower service costs and quality craftsmanship.

- Previous concerns about oil leakage and spillage are a thing of the past. SMARTGUARD® protects the environment from the unit. A flexible entry boot keeps moisture from seeping between the PVC chase and entry
- Uses 95% less oil than old low-pressure inground lifts, only 19 quarts
- Less service bay downtime
- SmartLifts are 3rd party tested

by ETL to meet or exceed ANSI standards. Make sure your lifts have the gold ALI/ETL certified label

- Universal base units between 10,000 and 12,000 lbs. Twin-post models allow lifts to be converted after installation

• EasyAccess™ (US Patent No. 6,571,919) cylinder design does not require bleeding and can be removed for servicing while other components remain in place. All hose connections can be accessed from floor level. **Combined, they reduce service call times by 75%**

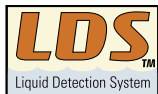


- Removable non-skid cover plate with a one piece leak resistant seal allows easy access to interior system



Features

- The highest rise available (81 1/4") with an inground lift in the market
- Wider drive-thru: (84 1/2") for low-profile/wider track width vehicles
- 8 1/2" (216 mm) guide pistons provide greater vehicle stability



Low-profile superstructures with non-skid coating.

On inbay® equipped lifts, the patented (US Patent No. 6,814,187) LDS™ signals the user if moisture develops in the containment to help prevent the accumulation of water. If required, a liquid removal system is also available.



Three-position wheel spotting dish.



The locking mechanism uses a patented cylinder (US Patent No. D469,791S) which features stainless steel and polymer construction for maximum corrosion resistance and service life.

Multi position locking system engages every 3" and is fully accessible for maintenance.

All fittings are stainless steel and located on the equalizer bar making them accessible from the top of the lift.

Shown: SL210i
10,000 lbs. capacity
shown with inbay





Twin-Post

- Full under vehicle access provides more service opportunities
- Universal base unit accommodates 10,000 & 12,000 lbs. capacity lifts and can be fitted with multiple adapters, fixed pad adapters (10,000 lbs. capacity only) or drive-on runways



Single-Post

- Maximum space available around the wheel wells and sides of vehicles
- Single-post is a great choice for tire service bays which require maneuvering hoses and electrical cords in the bay

Operating Controls and Power Unit Configurations



inbay® one touch control power unit mounted on wall.

inbay one touch control power unit on pedestal stand.



Conventional controls and power unit mounted on wall.

Conventional controls and power unit on pedestal stand.

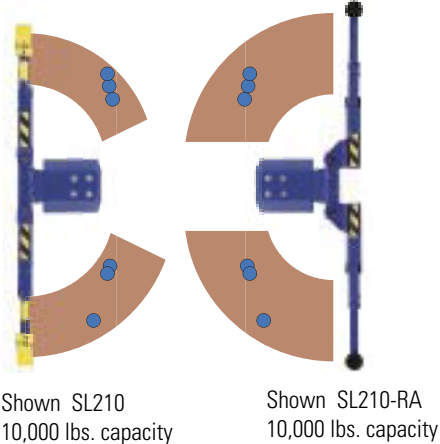
Increase the rise speed of your lift with an optional 3-phase power unit.

Substantially improve your facility image, technician pride and efficiency today with the Shure TC3 System (Technician Customer Care Center) or other like systems with integrated lift controls for your Rotary® SmartLift.



Shown: Shure TC3 System 10' work center and SL210i 10,000 lbs. capacity SmartLifts

Arm Configurations for Frame Engaging Lifts



Short Front/Long Rear Arms:

The general purpose, two-stage arm accommodates a wide range of uni-body and frame style vehicles. Three-position adapters are standard.

Three-Stage Arms:

The three-stage arm increases overall arm sweep and minimum arm reach to precisely lift vehicles that have:

- Uni-body construction
- Visually marked pick-up points on the vehicle
- Wider wheelbase and lower profile
- A short or long wheelbase
- Adapters available for lifting frame vehicles

Vehicle Contact Configurations for Frame Engaging Lifts



Shown FJ696 FJ6101 FJ6196
SL210 - 10,000 lbs. capacity
SL19 - 9,000 lbs. capacity

Three-position flip-up adapters for quick positioning on a variety of pick-up points. Auxiliary adapters are available.

SL210-RA - 10,000 lbs. capacity
SL19-RA - 9,000 lbs. capacity

NEW polymer RA adapters that screw-up and have optional stackable inserts. These adapters are ideal for uni-body vehicles. Pads designed for trucks/frame vehicles are available.

SL212 - 12,000 lbs. capacity

Stackable adapters are specifically designed for heavier vehicles and include light-weight aluminum construction.

Available on models:
SL29-FP - 9,000 lbs. capacity

Fixed pad contact lifts are perfect for quick vehicle spotting and can increase vehicle throughput. This is the perfect lift for a quick-lube bay.

Drive-On Lifts

Enjoy the space savings and column free design of the SmartLift with the added versatility and quick vehicle positioning capabilities of a drive on lift.

Raising the Vehicle Off the Runways



Shown: Model SL210DOR - 10,000 lbs. capacity shown with optional rolling jacks. Also available with inbay

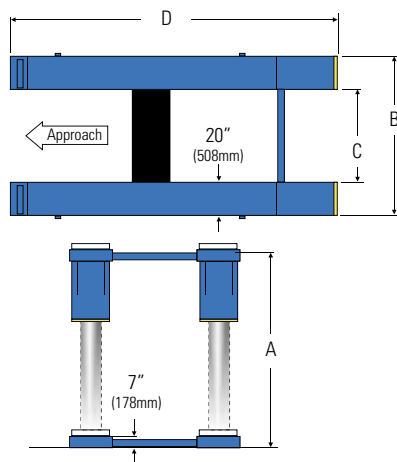
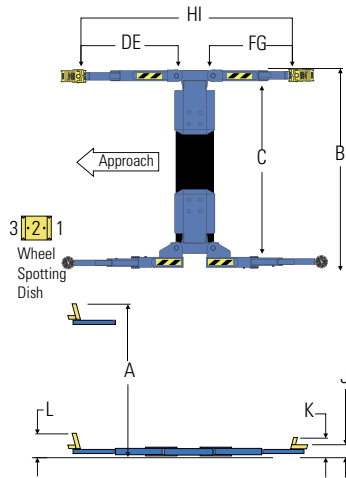


Shown: RJ4500
4,500 lbs. capacity
6,000 lbs. capacity also available



Shown: SJ4500
4,500 lbs. capacity swing air jack pivots and lays flat between the runways when not in use
6,000 lbs. capacity also available





Specifications



Model:	SL210i/SL210	SL210i-RA/ SL210-RA	SL212i/SL212
A. Rise*	81 1/4" (2064mm)	76 7/8" (1953mm)	84 1/4" (2140mm)
B. Width Overall	93 1/4" (2381mm)	104 3/8" (2651mm)	98 1/2" (2502mm)
C. Drive-Thru Clearance	84 1/2" (2146mm)	84 1/2" (2146mm)	88" (2235mm)
D. Reach (long arm min.)†	25 3/8" (645mm)	19 1/4" (490mm)	31 1/2" (800mm)
E. Reach (long arm max.)†	42 3/8" (1076mm)	42 3/8" (1077mm)	48" (1219mm)
F. Reach (short arm min.)†	22 1/8" (562mm)	N/A	31 1/2" (800mm)
G. Reach (short arm max.) †	36 5/8" (930mm)	N/A	48" (1219mm)
H. Reach (overall arm min.)†	63 3/4" (1619mm)	52 3/4" (1340mm)	77" (1956mm)
I. Reach (overall arm max.)†	95 3/8" (2422mm)	99" (2515mm)	110" (2794mm)
J. Min. Adapter Height	4 1/4" (108mm)	3 5/8" (92mm)**	5 1/4" (133mm)**
K. Low Step Height	6 3/8" (162mm)	N/A	9 1/4" (235mm)**
L. High Step Height	10 1/4" (260mm)	5 7/8" (149mm)**	13 1/4" (337mm)**
Lifting Capacity Overall	10,000 lbs. (4536kg)	10,000 lbs. (4536kg)	12,000 lbs. (5443kg)
Lifting Capacity (per arm)	2,500 lbs. (1134kg)	2,500 lbs. (1134kg)	3,000 lbs. (1361kg)
Guide Piston Diameter	8 1/2" (216mm)	8 1/2" (216mm)	8 1/2" (216mm)
Motor	2 HP	2 HP	2HP
Voltage Single Phase ††	208v - 230v	208v - 230v	208v - 230v
Time of Full Rise 1Ø/3Ø	45 seconds/ 35 seconds	45 seconds/ 35 seconds	54 seconds/ 42 seconds
Min. Bay Size	11' X 24' (3353 X 7315mm)	11' X 24' (3353 X 7315mm)	12' X 26' (3658 X 7925mm)

Model:	SL210i-DOR	SL210i-DOR-S
Maximum Wheelbase	182" (4623mm)	158" (4013mm)
A. Rise*	78" (1937mm)	78" (1937mm)
B. Width Overall	83" (2108mm)	83" (2108mm)
C. Width Between Runways	43" (1092mm)	43" (1092mm)
D. Length Overall	249" (6324mm)	225" (5715mm)
Lifting Capacity Overall	10,000 lbs. (4536kg)	10,000 lbs. (4536kg)
Guide Piston Diameter	8 1/2" (216mm)	8 1/2" (216mm)
Motor	2HP	2HP
Voltage Single Phase ††	208v - 230v	208v - 230v
Time of Full Rise 1Ø/3Ø	54 seconds/ 42 seconds	54 seconds/ 42 seconds
Min. Bay Size	11' X 24' (3353 X 7315mm)	11' X 22' (3353 X 6706mm)

* Rise is measured with adapter in high step position.

** Measured to polymer pad.

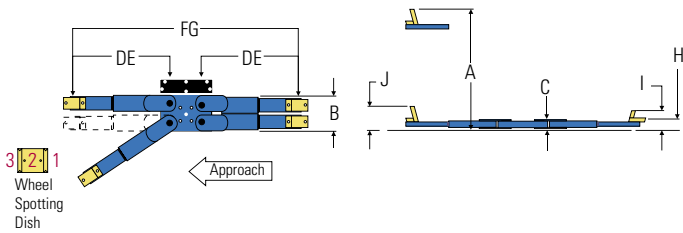
† Standard arm configuration for SL210 lifts with flip up adapters is short front/long rear arms as dimensioned. Long/long configurations are also available.

†† Optional 3-Phase electrical available.

Ceiling height required equals rise plus height of tallest vehicle.

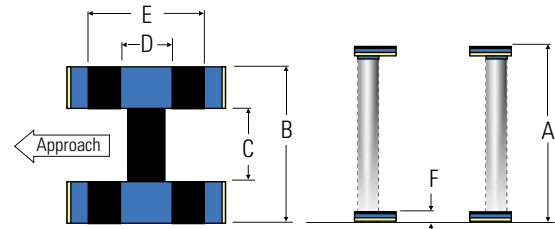
Standard color of lifts are blue unless otherwise noted. Red, yellow, gray and black are available at no additional charge. Additional colors are available, consult your Rotary® representative for details.





Model:

	SL19i/SL19	SL19i-RA/ SL19-RA
A. Rise*	81 3/8" (2067mm)	77 3/8" (1965mm)
B. Width Overall	19" (483mm)	19" (483mm)
C. Drive-Over Clearance	4 1/8" (105mm)	4 1/8" (105mm)
D. Reach (arm min.)	19 1/2" (495mm)	21 1/8" (537mm)
E. Reach (arm max.)	35 1/8" (892mm)	31 1/2" (800mm)
F. Reach (overall arm min.)	52" (1321mm)	55 1/4" (1403mm)
G. Reach (overall arm max.)	83 1/4" (2115mm)	76" (1930mm)
H. Min. Adapter Height	4 1/8" (105mm)	4 1/8" (105mm)
I. Low Step Height	6 1/4" (159mm)	N/A
J. High Step Height	10 1/8" (257mm)	5 3/4" (146mm)
Lifting Capacity Overall	9,000 lbs. (4082kg)	9,000 lbs. (4082kg)
Lifting Capacity (per arm)	2,250 lbs. (1021kg)	2,250 lbs. (1021kg)
Guide Piston Diameter	8 1/2" (216mm)	8 1/2" (216mm)
Motor	2 HP	2 HP
Voltage Single Phase ††	208v - 230v	208v - 230v
Time of Full Rise 1Ø/3Ø	45 seconds/ 35 seconds	45 seconds/ 35 seconds
Min. Bay Size	11' X 24' (3353 X 7315mm)	11' X 24' (3353 X 7315mm)



Model:

**SL29iP-FP/
SL29-FP**

A. Rise	74" (1880mm)
B. Width Overall	78 1/2" (1994mm)
C. Width Between Pads	38 1/2" (978mm)
D. Reach (min.)	31" (787mm)
E. Reach (max.)	59" (1499mm)
F. Drive-Thru Clearance	3" (76mm)
Lifting Capacity (Overall)	9,000 lbs. (4082kg)
Lifting Capacity (Per Pad)	2,250 lbs. (1021kg)
Guide Piston Diameter	8 1/2" (216mm)
Motor	2 HP
Voltage Single Phase ††	208v - 230v
Time of Full Rise 1Ø/3Ø	45 seconds/ 35 seconds
Min. Bay Size	11' X 24' (3353 X 7315mm)

Customized SmartLifts for Specific Vehicles

Land Rover

Model: SL210i-DOR-LR
Lift includes: SL210i-DOR, two rolling jacks, internal air and discovery adapters.



Honda Dealerships

Model: SL210-H
Honda Express Service Inground lift.






Mercedes Dealerships

Model: SL210-SLR
SLR Inground lift.

Base SmartLift® Units (for Adding Alignment Equipment)

Model	SL210iBU/SL210BU	SL212iBU/SL212BU
Stroke	71 1/2" (1816 mm)	71 1/2" (1816mm)
Lifting Capacity Overall	10,000 lbs. (4536kg)	12,000 lbs. (5443kg)
Guide Piston Diameter	8 1/2" (216mm)	8 1/2" (216mm)
Motor	2HP	2HP
Voltage Single Phase ††	208v - 230v	208v - 230v
Time of Full Rise 1Ø/3Ø	45 seconds/ 35 seconds	54 seconds/ 42 seconds

Wheel Spotting Dish Application Chart

	Less than 105" wheelbase: spot vehicle behind wheel spotting dish.
	105"-127" wheelbase: spot vehicle in wheel spotting dish.
	Over 127" wheelbase: spot vehicle in front of wheel spotting dish.





Rotary Lift® is the world leader in service bay productivity. We offer a broad range of solutions to make any service bay more productive.

For more information and a complete guide to our product offering, visit us on the web at rotarylif.com or contact your local distributor today.

Rotary World Headquarters

2700 Lanier Drive
Madison, IN 47250, USA
www.rotarylif.com

North America Contact Information

Sales: p 800.640.5438
f 800.578.5438
e userlink@rotarylif.com
Tech. Support: p 800.445.5438
f 800.578.5438
e userlink@rotarylif.com

World Wide Contact Information

World Headquarters/USA: 1.812.273.1622
Canada: 1.905.812.9920
European Headquarters/Germany: +49.771.9233.0
United Kingdom: +44.178.747.7711
Australasia: +60.3.7660.0285
Latin America/Caribbean: 1.812.273.1622
Middle East/Northern Africa: +49.771.9233.0
Southern Africa: 1.812.273.1622

ROTARY LIFT®
The World's Most Trusted Lift™



A DOVER COMPANY



Lit# SmartLiftPAS_2006.01
©2006 Rotary®. Printed in U.S.A., All Rights Reserved. Unless otherwise indicated, ROTARY, DOVER and all other trademarks are property of Dover Corporation and its affiliates.