

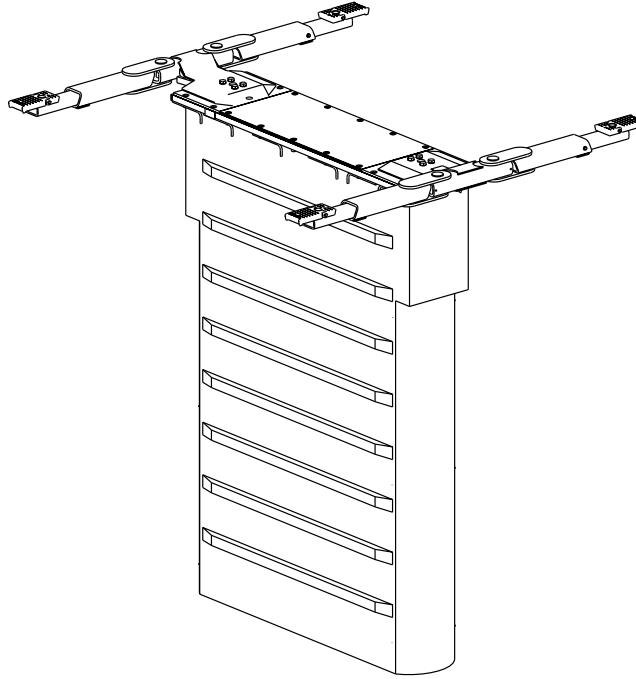


World Leader in Lift Systems

SL29 SmartLift®



- SL29** (SL290001) Two-Plunger Frame Engaging Lift with Flip-up Adapters
(SL290006) Same as above except with 3ph. power unit
- SL29-RA** (SL290005) Two-Plunger Frame Engaging Lift with Rubber Pad Adapters
(SL290009) Same as above except with 3ph. power unit
- SL29-SPA** (SL290002) Two-Plunger Frame Engaging Lift with Adjustable Rubber Pads
(SL290010) Same as above except with 3ph. power unit



**P
A
R
T
S

B
R
E
A
K
D
O
W
N**

- SL29-BU** (SL290000) Two-Plunger Base Unit Lift
(SL290007) Same as above except with 3ph. power unit
- SL29-FP** (SL290004) Two-Plunger Frame Engaging Lift with Fixed Rubber Pads

IMPORTANT: When ordering parts or requesting service always give exact model and power unit serial number. Model number is shown on nameplate attached to air lock release valve. Power unit serial number is located on side of power unit.

OWNERS RECORD
Complete information
at right and keep in
a safe place.

Date Installed _____

Installed in Bay # _____

Power Unit Serial # _____

Power Unit Model # _____

Lift Serial # _____

Lift Model # _____

NOTE: For replacement parts -See your nearest Rotary Parts Distributor.

PB 5-8-3

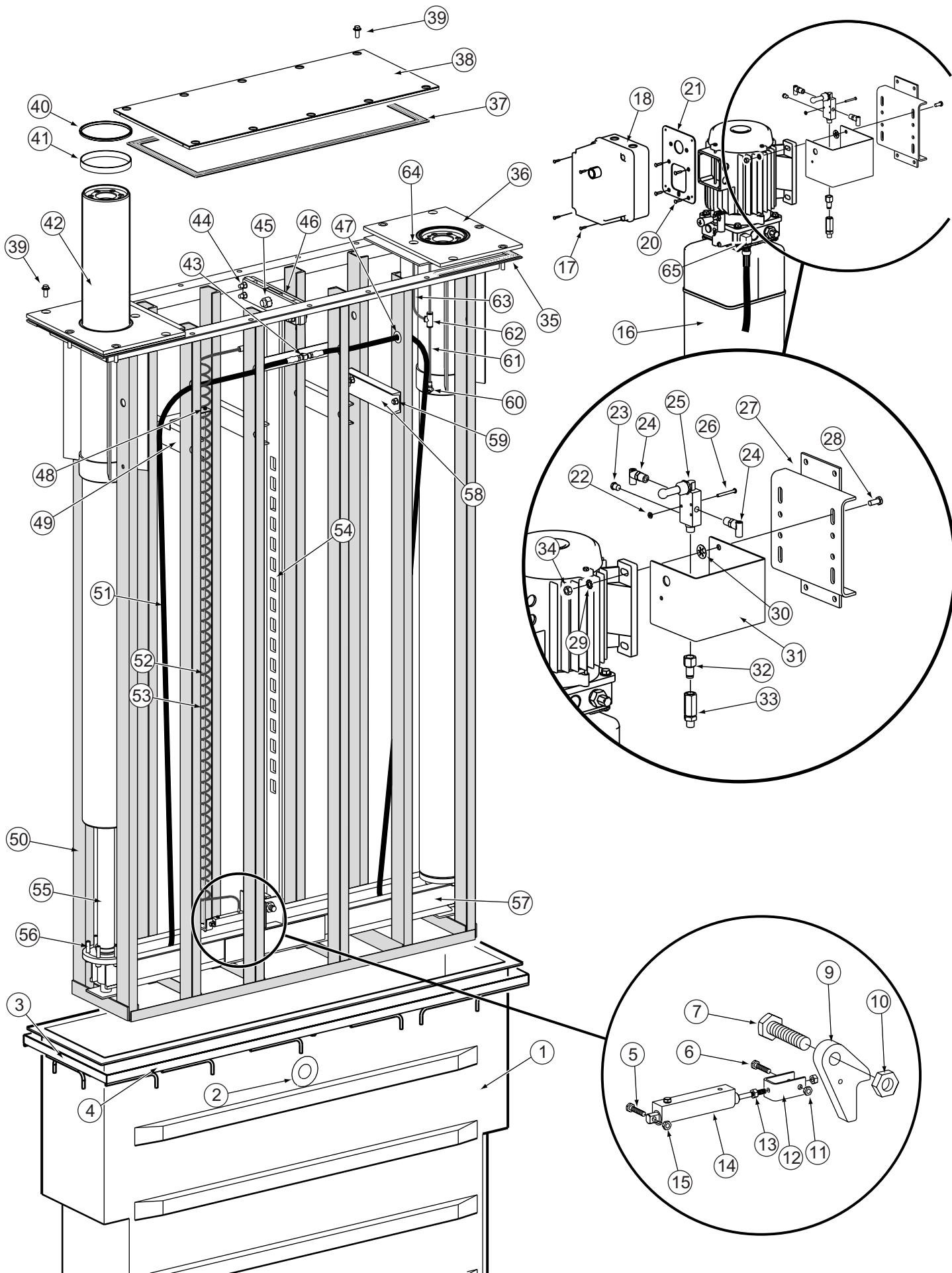
B Rev. 8/4/99

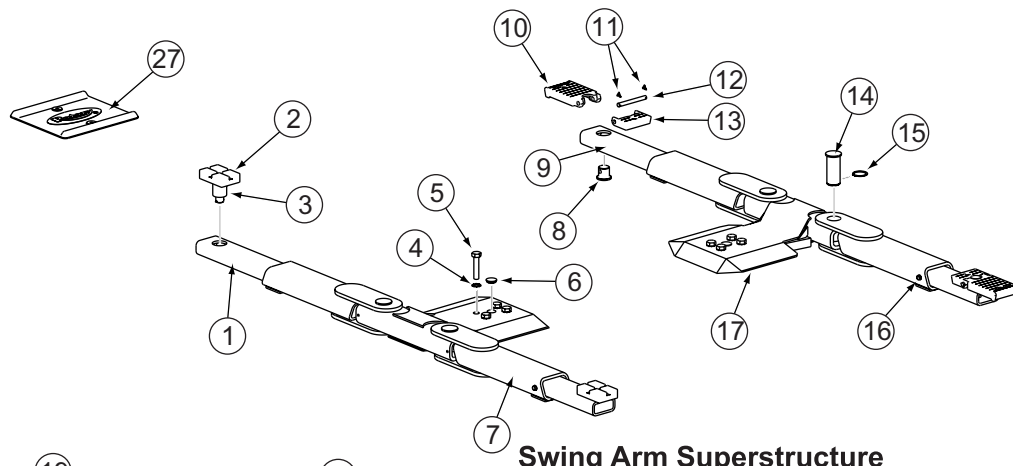
**R
O
T
A
R
Y

L
I
F
T**

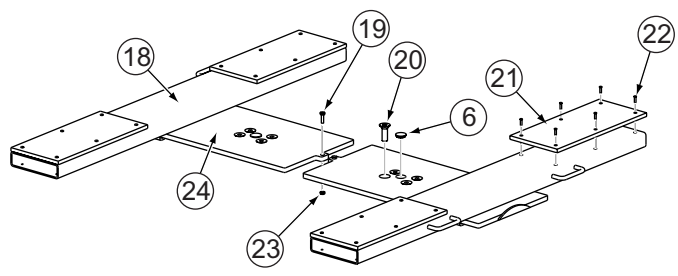
1	Containment Tube	T130016
2	Uniseal	T140023
3	Concrete Anchor Frame (end section)	T120038
4	Concrete Anchor Frame (side section)	T120070
5	1/4"-20NC x 1-1/4" HHCS	40115
6	1/4"-20NC x 1-1/2" HHCS	40110
7	3/4"-10NC x 5" HHCS Plated Grade 5	40456
8	Number Not Used	N/A
9	Locking Latch	T130015
10	3/4"-10NC Nylon Insert Locknut	40790
11	1/4"-20NC Nylon Insert Locknut	40642
12	Clevis	T130014
13	1/4"-28NF Hex Nut	40648
14	Air Cylinder	T140062
15	1/4"-20NC Nylon Insert Locknut	40642
16	Power Unit	
	Single Phase	P1052
	Three Phase	P1053
17	#8-32NC x 1/2" Self Tapping Pan Head MS	FA7152-2
18	Control Panel	
	3 Phase 208V/60 Hz.	FA7162
	3 Phase 230V/60 Hz.	FA7163
	3 Phase 460-480V/60 Hz. or 380-415V/50Hz.	FA7164
19	Number Not Used	N/A
20	M5 x .8 x 8mm Flat Head MS	FA7152-1
21	Control Panel Adapter Plate	FA7132-2
22	#8-32NC Nylon Insert Lock Nut	40649
23	Brass Filter	T140075
24	Swivel Elbow	T140074
25	Air Lock Valve	T140073
26	#8-32NC x 1-1/2" Rnd Head Machine Screw	40007
27	Power Unit Wall Bracket	T120020
28	5/16"-18NC x 1-1/2" HHCS Zinc Plated	40238
29	5/16" Ext. Tooth Lock Washer Plated	40854
30	5/16" Push Nut	FC5209
31	Air Lock Valve Mounting Bracket	T130187
32	1/4" Push-In 1/4" NPT Female Fitting	T140081
33	Filter	FA3134-12
34	5/16"-18NC Hex Nut	40670
35	End Gasket	T140106
36	Guide Assembly	T110071
37	Center gasket	T140105
38	Cover Plate	T120055
39	1/2"-13NC x 2" Self Tap Flange Head Screw	40268
40	Wiper	T140076
41	Bearing	T140085
42	Plunger	T120099
43	Bulkhead Union "T" Adapter	T140010
44	1/2"-13NC x 2-1/2" HHCS	40330
	1/2"-13NC Hex Nut	40680
	1/2" External Tooth Lockwasher	40880
45	7/8"-9NC x 2-1/2" HHCS	40497
	7/8"-9NC Hex Nut	40765
	7/8" External Tooth Lockwasher	41070
46	Latch Bar Plate	T130003
47	Grommet	T140002
48	1/4"-20NC Hex Jam Nut	40640
49	Air Coil Rod Bracket Assembly	T120121
50	Frame	T120122
51	Hydraulic Oil Hose	T140100
52	Air Coil Hose Rod	T130260
53	Recoil Hose 3/16"	T140096

54	Latch Bar	T120094
55	Hydraulic Cylinder	FJ7664
	Bleeder Screw (specify manufacturer)	N/A
56	1/2"-13NC x 2-1/2" Socket Head Cap Screw	40313
	1/2" Helical Spring Lockwasher Plated	40915
57	Equalizer	T120050
58	Short Tie Channel	T130005
59	1/2"-13NC x 1" HHCS Grade 5	40261
	1/2"-13NC Hex Nut Plated	40680
	1/2" External Tooth Lockwasher Plated	40880
60	Male Elbow Connector	FA3134-6
61	1/4" Nylon Tube 9-1/2" long	T130189
62	Union Tee	FC5225-46
63	1/4" Nylon Tube 11-1/8" long	T130191
64	Male Connector	FC5225-47
	Grease/Zerk Fitting	T140007
65	Elbow	FJ7224

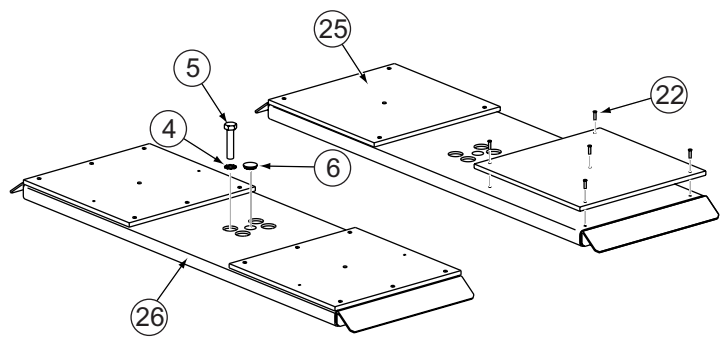




Swing Arm Superstructure



Adjustable Pad Superstructure



Fixed Pad Superstructure

1	Inner Arm (with Rubber Adapter Pads)	FJ7866-1
2	Pad Adapter	FJ7735-2
3	Adapter Assembly	FJ6125
4	3/4" External Tooth Lockwasher	40995
5	3/4"-10NC x 3" HHCS Grade 5	40470
6	Plug Button	T140014
7	Outer Arm	T120068
8	Adapter Swivel Pin	FJ79-6
9	Inner Arm (for Flip-up Adapters)	FJ7150-2
10	High Step Adapter	FJ671-1
11	3/32" Hog Ring for 1/2" Shaft	FJ671-6
12	Adapter Pin	FJ671-3
13	Low Step Adapter	FJ671-2
14	Arm Pin	T130066
15	Truarc #5100-187 Klipring	41404

16	3/8"-16NC x 5/8" HHCS Grade 8 Plated	40155
	3/8" Internal Tooth Lockwasher	40843
17	Yoke	T120098
18	Support Assembly	FJ2193-1
19	3/8"-16NC x 5/8" HHCS Grade 8 Plated	40155
20	3/4"-10NC x 3" Hex Socket Flat	40482
	Countersunk Head Cap Screw	
21	Rubber Pad	FJ2177-2
22	1/2" x 1" SD12BS Blind Pop Rivets	41351
23	3/8"-16NC Hex Nut	40660
24	Yoke	T120082
25	Rubber Pad	FJ2252-5
26	Pad Weldment	T120087
27	Wheel Spotting Dish Kit	FF729

World Headquarters:
ROTARY LIFT
A DOVER INDUSTRIES COMPANY
 2700 Lanier Drive
 Madison, IN 47250-1753 USA
 Phone toll-free: 1-800-445-5438
 Phone: (812) 273-1622
 Fax toll-free: 1-800-822-6502
 Fax: (812) 273-6502
 E-mail: userlink@rotarylif.com
 Web site: www.rotarylif.com

For Canada:
DOVER CORP. (CANADA) LTD.
ROTARY LIFT DIVISION
 130 Bridgeland Avenue Unit 210
 Toronto, Ontario M6A 1Z4
 Phone: (416) 256-4100
 Fax: (416) 256-3924

For United Kingdom & Republic of Ireland:
ROTARY LIFT (UK) LIMITED
 Madison House
 2 Park Road
 Dartford, Kent
 DA1 1SL
 Phone: +44 (0) 1322 223323
 Fax: +44 (0) 1322 222454

For Europe:
ROTARY LIFT EUROPE
 Berlinger Ring 163 B
 D-64625 Bensheim
 Phone: +49 (0) 6251 787037
 Fax: +49 (0) 6251 787038

